



File Name: bt phone manual.pdf

Size: 4093 KB

Type: PDF, ePub, eBook

Category: Book

Uploaded: 24 May 2019, 22:52 PM

Rating: 4.6/5 from 833 votes.

Status: AVAILABLE

Last checked: 11 Minutes ago!

In order to read or download bt phone manual ebook, you need to create a FREE account.

[Download Now!](#)

eBook includes PDF, ePub and Kindle version

[Register a free 1 month Trial Account.](#)

[Download as many books as you like \(Personal use\)](#)

[Cancel the membership at any time if not satisfied.](#)

[Join Over 80000 Happy Readers](#)

Book Descriptions:

We have made it easy for you to find a PDF Ebooks without any digging. And by having access to our ebooks online or by storing it on your computer, you have convenient answers with bt phone manual . To get started finding bt phone manual , you are right to find our website which has a comprehensive collection of manuals listed.

Our library is the biggest of these that have literally hundreds of thousands of different products represented.



Book Descriptions:

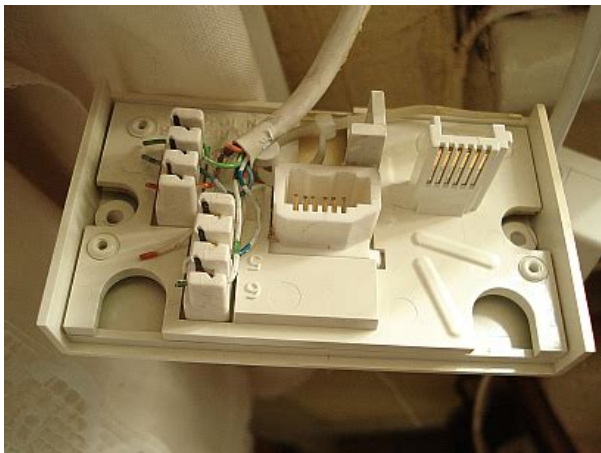
bt phone manual



Telephone headsets are a must for businesses large and small, increasing productivity and efficiency whilst making day to day tasks easier for staff. Be it an ear defender or a ruggedised telephone, you will find it here. USB Headsets, Speakerphone and Webcams can be found here. Certified for Teams, compatible with GoToMeeting, Zoom and more We value our customers and value your feedback so if you have any comments please get in touch with us. You can also find out more about us and some of our services and clients. Thank You. Its ultralightweight design offers superior fit and comfort, while clear detailed sound, enhanced bass, advanced wireless technology and a great battery life give you the flexibility and freedom to enjoy music and videos every day. \n\n The CX 6.00BT delivers a clear, detailed sound with an enhanced bass response. A threebutton remote and voice prompt system ensures ease of use. In standby, press and hold to dial BT 1571. When answer machine message playing, press to replay the current message, or press twice to skip backward to the previous message. Will appear if you're on, or starting, a call. Shows when a new missed call has been received. Shows when you've set an alarm clock. Also used during the registration process. The home screen will display the icon if the ringer is off. Find handset Paging If you get an incoming call while you're paging a handset, You can ring a handset to help. You will hear a confirmation tone.The first entry will be displayed. Select by pressing 2. Press until DELETE ALL is displayed and press 3. The Calls list can hold numbers up to 24 digits and names up to 12 characters.You will hear a confirmation tone.The default Set the handset ringtone for external ringtone is Melody 1 and the internal ringtone is external or internal calls Melody 2. 1. Press, scroll to HS SETTINGS and press 2. You will hear a confirmation tone.You will hear a confirmation tone.However, if you purchase an.<http://chakad-co.com/userfiles/db30-manual.xml>

- **bt phone manual, bt phone manual 3570, bt phone manual 4600, bt phone manuals download, bt phone manual 6500, bt phone manual bt 3960, bt phone manual 8500, bt phone instructions, bt phone instructions freestyle, bt everyday phone manual, bt phone manual, bt phone manual, bt phone manuals online, bt phone manuals user guides, bt phone manual pdf, bt phone manual download, bt phone manuals free, bt phone manual 2600, bt phone manual 4600, bt phone manuals download, bt cordless**

phone manual, bt truecall phone manual.



Billing enquiries Please see the phone number shown on your BT bill.Using an Replacing the handset batteries unauthorised power supply will After a time, you might find that the invalidate your guarantee and may handset batteries run out of charge damage the phone. Never use a dry cloth as this may cause a static shock.Your Everyday Phone has a REN of 1. A total REN of 4 is allowed. If the total REN of 4 is exceeded, the telephones may not ring. International call costs may vary. Learn more Learn more Learn more Learn more Learn more Learn more Learn more Highend components and thermal solutions, made possible by our years of industry experience, provide better efficiency, performance, and quality. Learn more Learn more Please visit the ASUS USA and ASUSPlease check with your supplier for exact offers. Products may not be available in all markets.Please refer to specification pages for full details.All rights reserved. Helping avoid mobile signal dropouts as you walk around the house. It has built in call blocking technology, so you can take control of all your incoming calls.BT Premium PhoneHelping avoid mobile signal dropouts as you walk around the house. It has built in call blocking technology, so you can take control of all your incoming calls.You can also send and receive SMS text message to the phone, but you will need caller display on the line.A handy builtin answering machine means you dont have to answer calls straight away.And you can also easily block calls you dont want to answer.To get in touch right now, use the Email, Chat or BSL links. Get news, info, tips and offers straight to your inbox. Sign up you know you want to. Choose your country below to get started. Ramon Rivero y Av. Oquendo Recoleta Edificio Cine Center Local Sky Games Cochabamba Bolivia TEL Parque Industrial Naucalpan CP 53480 Estado de Mexico Mexico TEL Rogelio Cantu 370 Col.<http://dermatologie-chamonix.com/userfiles/db328r-clarion-manual.xml>



Block Nuisance Calls

Quick Set-up and User Guide



BT XD56
Digital Cordless Phone with Answer Machine

2

Important – please read first

- Only use the line cord, power supply (item code: 066773) and rechargeable batteries supplied with your phone.
- Make sure that the power supply is connected to a known working socket.
- Connect your phone to the power supply and allow the batteries to charge for 16 hours before connecting the line cord to your telephone socket.
- To make sure you get the best range and reception from your handset, avoid interference by placing the base unit away from large metal objects such as

Biharua 6777, Sector 1, Metav Business Park, Building C Bucharest TEL Malaysia TEL Economia Sts. Libis, Quezon City, Philippines. No 5034 5D ASH SHERA, Unit No 1 Alazizyah, Alkobar 347426965 Saudi Arabia TEL AB1408 Jebel Ali, Dubai. It shows the components of the circuit as simplified shapes, and the power and signal connections between the devices. This Bt Phone Socket Wiring Diagram.html is often used to troubleshoot problems and to make sure that all the connections have been made and that everything is present. A wiring diagram usually gives information about the relative position and arrangement of devices and terminals on the devices, to help in building or servicing the device. This is unlike a schematic diagram, where the arrangement of the components interconnections on the diagram usually does not correspond to the components physical locations in the finished device. A pictorial of Bt Phone Socket Wiring Diagram.html diagram would show more detail of the physical appearance, whereas a wiring diagram uses a more symbolic notation to emphasize interconnections over physical appearance. Architectural wiring diagrams show the approximate locations and interconnections of receptacles, lighting, and permanent electrical services in a building. Interconnecting wire routes may be shown approximately, where particular receptacles or fixtures must be on a common circuit. Standard Wiring Diagram Symbols for Bt Phone Socket Wiring Diagram.html If a line touching another line has a black dot, that means the line is connected. Then the unconnected line is displayed across, you will see a jump line. Most of the symbols used in cable diagrams look like abstract versions of the real objects they represent. For example, a switch will be a dashed line with a line at an angle to the wire, like a light switch that you can turn on and turn off. A resistor will be represented by a series of scribbles that symbolizes current flow restrictions.

A set of wiring diagrams may be required by the electrical inspection authority to approve connection of the residence to the public electrical supply system. Wiring diagrams will also include panel schedules for circuit breaker panelboards, and riser diagrams for special services such as fire alarm or closed circuit television or other special services. Start Your FREE Month!! CREATE MY ACCOUNT NOW Securely Verified. The International Conference on Applied Sciences, Mathematics and Informatics ICASMI is a biennial conference hosted by University of Lampung that brings together academics, scholars and researchers from around the world to meet and exchange the latest ideas and discuss issues concerning all fields of sciences, mathematics, informatics and their

application. It also allows representatives of industry, government employers and postgraduate students to have an opportunity to discuss with experts on some issues they concern. Based on the conference theme “Natural Sciences, Mathematics and Informatics in the Industrial Revolution IR 4.0 toward the Sustainable Development Goals SDGs”, the objectives of this conference are To understand issues and challenges on both supporting and achieving the SDGs, To bring together Researchers, Scholars and Students in the areas of Mathematics and Sciences and provide a media for the dissemination of original research result, new ideas and practical experiments which concentrate on both theory and practice, To provide opportunities for academics to receive informal indepth feedback through discussion and to enable them to establish contact with other researchers from a range of disciplines and institutions. We invite scholars, experts and professionals from related fields to submit manuscripts to the conference. We also kindly request that you share this call with your colleagues.

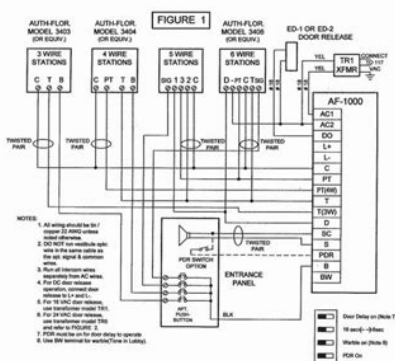
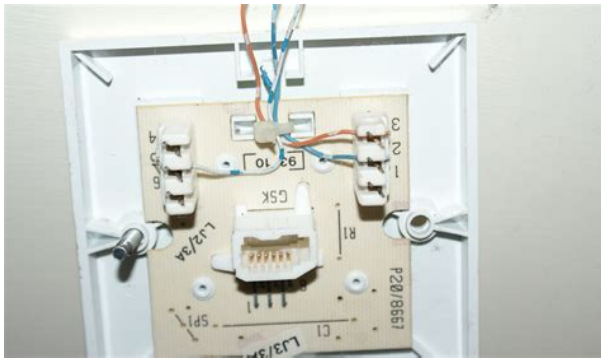


Image from : mrskindclass.com

<http://www.drupalitalia.org/node/71613>

Suggested topics for discussion include, but are not limited to Biology Botany, Zoology, Ecology, Microbiology, Biotechnology and Applied Biology Physics Instrumentation, Theoretical Physics, Material Physics. Kind regards, Prof. Rudy Situmeang The Conference Chairman Keynote Speakers Prof. Kenji Satou Kanazawa University, Japan Prof. Dr. Antonius Suwanto IPB University, Indonesia Prof. Dr. Hasan Kucukbay Inonu University Prof. Dr. Ismail Bin Mohd AISMM, Malaysia Prof. Ivandini Tribidasari, A University of Indonesia, Indonesia Prof. John Hendri, Ph.D University of Lampung, Indonesia Topic of Article Suggested topics for discussion include, but are not limited to Biology Botany, Zoology, Ecology, Microbiology, Biotechnology and Applied Biology Physics Instrumentation, Theoretical Physics, Material Physics. See compatible TVs Support Support My Sony Community Stay informed with a Sony account to get news, offers and promotions. Sign up now Hi My Sony Sign in Favourites My Products Register a new product My Account Details Newsletter Preferences Community Favourites Sign out Favourites Search Sony Sony Sites Search Sony To get the full experience on Sony.co.uk, please change your settings to allow JavaScript. Find information and receive instant notifications about your product We recommend downloading and installing the latest version of one of the following browsers Our site is not optimized for your current browser. A newer version of your browser may be available Chrome Chrome Download the latest version IE Internet Explorer Download the latest version Firefox Firefox Download the latest version Apple Safari Download the latest version Proceed with current browser for now Proceed with current browser for now.

<http://elreehavia.com/images/bosch-vr8-manual-installation.pdf>



<https://elsenorcafe.com/images/bosch-vr8-installation-manual.pdf>



<https://viajespereira.com/wp-content/plugins/formcraft/file-upload/server/content/files/1626c31da38659---concrete-manual-bureau-reclamation.pdf>

<http://www.drupalitalia.org/node/71614>