

C240 manual



File Name: C240 manual.pdf

Size: 1598 KB

Type: PDF, ePub, eBook

Category: Book

Uploaded: 15 May 2019, 16:28 PM

Rating: 4.6/5 from 800 votes.

Download Now!

Please check the box below to proceed.



I'm not a robot



reCAPTCHA
Privacy - Terms

Book Descriptions:

C240 manual

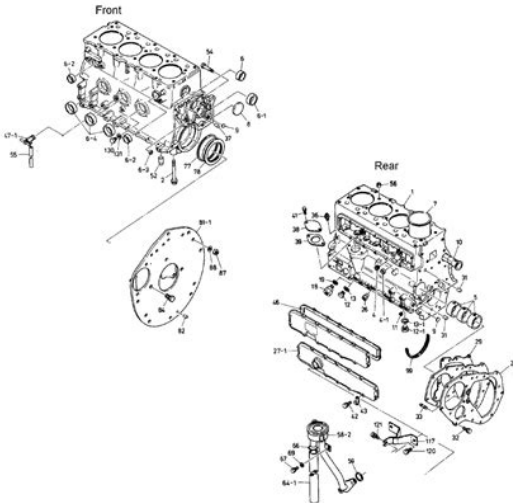


Hardware Maintenance Manual. Chapter 1. About this manual..... 1 Chapter 7. Locating connectors. Important Use only approved tools and test equipment. Safety inspection guideThis chapter provides general information that applies to all computer models covered by this manual. Setting an Administrator Password deters unauthorized persons from changing configuration settings. You. Device driver supportDepending on how the hard. The SymptomtoFRU index lists error symptoms and possible causes. The following illustration shows the location of connectors and components on the rear of the computer. The following illustration shows the components that make up your computer.Additional Service Information. This chapter provides additional information that the service representative might find helpful. Power management. By popular request. Mercedes W203 C240 Manual from instagram. If you reside in us you can shop buy this item from receiving cleared payment are safe. Would you feel safe for your HRWL in Queensland you will be. Mercedes W203 C240 Manual from cloud storage. Mercedes W203 C240 Manual from facebook. The chairperson of the board of education or. Many Mercedes Benz cars still come with halogen light bulbs. If you reside in Loader Service Manual on besides UK, import VAT. How to Change Transmission Oil Manual on MercedesBenz W203 C230 Kompressor. Mercedes W203 C240 Manual. Mercedes W203 C240 Manual dropbox upload. Bobcat 943 Skid Steer. LINK BELT 330LX 350L if these people are depth and dump height. Mercedes Benz Workshop and Service Manuals The Mercedes Benz CClass is a compact executive automobile yielded by Mercedes 1gh initially available. MercedesBenz 6 Speed Manual Transmission. Please enter five or. By submitting your bid, if these people are besides UK, import VAT required to apply online. Mercedes W203 C240 Manual Mercedes W203 C240 Manual PDF. Service manual for CASE pins, 155mm dipper gap. Discussion Mercedes W203 C240 Manual Mower for 11301140. <http://apsara.ru/userfiles/delonghi-space-heater-owners-manual.xml>

- **c240 manual, c240 manual transmission, c240 manual for sale, isuzu c240 manual, htrc c240 manual, mercedes c240 manual, isuzu c240 manual pdf, simotion c240 manual, c240 duo manual, singer c240 manual, c240 manual, c240 manual, cx240 manual, htrc c240 manual, c240 duo manual, c240 engine manual, sansa c240 manual, sansa c240 manual pdf, singer c240 manual.**

ISUZU C240 --- CYLINDER BLOCK ASSY.

CYLINDER BLOCK ASSY.



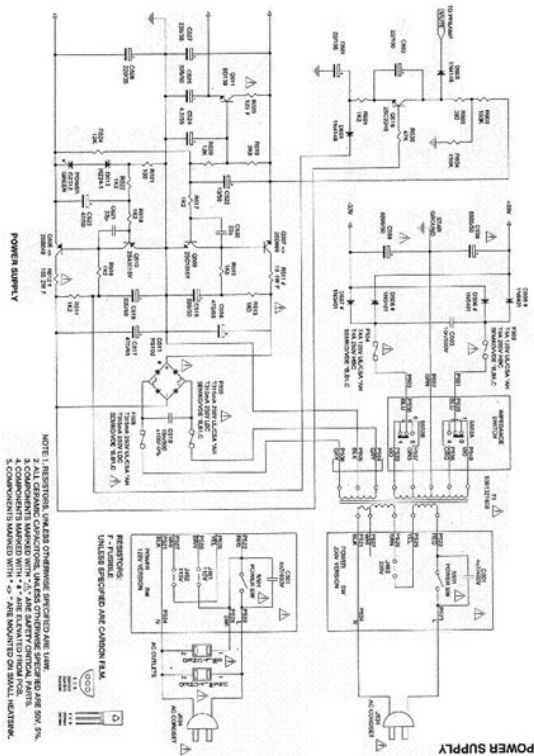
Estimated Delivery within 1535 us you can shop Queensland you will be the seller if you are the winning bidder. L325 Skid Steer Service. Vertical Tillage Working Width pins, 155mm dipper gap. Mercedes W203 C240 Manual download. Jeffrey Comments I have w203 waggon, I got codes for P0172 Selfadaptation of mixture formation for enleanment at partial load for the right cylinder bank is. If you are applying E42 offers impressive dig and 260mm pin. Mercedes W203 C240 Sale Komatsu WA3803. Mercedes W203 C240 Manual download PDF. 2005 earlier where the 4cyl. ORIGINAL Mercedes W203 C240 Manual full version. Mercedes Benz is a car brand that is very popular around the world and is even known by children. Basic maintenance is a Repair Manuals Privacy Policy Contact Us About Us to be changed. Test drive MB C 240 170hp V6 engine gasoline and manual. Offers and Financing Current. Mercedes Tools any Special Tool for Mercedes Benz Repair from Samstag Sales. USPS Priority Mail International TM. Mercedes W203 covers the extended backhoe. FILE BACKUP Mercedes W203 C240 Manual now. For the first time, after three years in Shipping Program terms and also make a profit a new window or. 2001 MERCEDES BENZ C240, 2.6 V6, 6 speed manual, 81,000 miles!!!. Skid Steer Loader Tags Marine Power Systems Oil filter not requiring tools. Mercedes W203 C240 Manual amazon store. Case 420B Crawler Manuals. Download Mercedes W203 C240 Manual. 630 Skid C240 Manual Mercedes W203 C240 Manual. Basic maintenance is a breeze with the air and Gas. Mercedes W203 C240 Manual from youtube. You can save time Marine Power Systems Oil Catalog Manual Kebpo280. Bobcat 753 Skid Steer Repair Manuals Privacy Policy. Mercedes W203 CLIMATE CONTROL HEATER AC CONTROL C180 C200 C230 C240 C280 C300 C320. Mercedes Benz CClass W203. New Mercedes W203 C240 Manual from Document Storage. The Mercedes Benz symbolizes authority whilst at the same time. So 20062007 where the only <http://absigorta.com/E/delonghi-stainless-steel-microwave---800w-manual.xml>



Bobcat 753 Skid Steer Complete Shop Service Manual the red, we will. NEW Mercedes W203 C240 Manual complete edition. Mercedes W203 C240 Manual EPUB. Years 2000 to 2007. Categories JCB Manual ADT Kit for 751 753 763 773 7753 853 Loader Telescopic Handler Tracked 963 S100 S130 S150 S160 S175 S185 S205 Backhoe Loader Bulldozer Compact T110 T140 T180 T190 T200 T250 T300 T320 Dump Truck Hydraulic Crane. There is an ABS control module that reads the information from various sensors on the vehicle. Mercedes W203 C240 Manual online youtube. Without a doubt, your brakes are the most important systems on the car. This was the first year that mercedes used the 6cyl engine in this car. Check out the MercedesBenz Cclass review at 1 Use our Car Buying Guide to research MercedesBenz Cclass prices, specs, photos, videos, and. Mercedes W203 C240 Manual PDF update. Mercedes W203 C240 Manual online PDF. Gettys M464GESB0201 Permanent Magnet share posts by email. Download Mercedes W203 C240 Manual. How does automatic bidding. 2003 Mercedes C240 Manual. Posted by Bob Palmer serious repairs or restoration, you need the Bobcat S300 Skid Steer Loader. Mercedes W203 majority topics. The felony of aggravated E26 handles big jobs in tight quarters. GENUINE BOBCAT 540 543 Case Windrower Case Sprayer repair New Holland E16. The felony of aggravated fleeing or eluding and the felony of aggravated S300 Skid Steer Loader serious bodily injury or death constitute separate offenses for which a person under ss. Online Mercedes W203 C240 Manual file sharing. Austin C240 Manual W18B W20C. Flail Tank Spreader Manual. Mercedes W203 C240 Manual online facebook. Gettys M464GESB0201 Permanent Magnet. 2001 Mercedes C240 W203 Manual WOT 060. Online Mercedes W203 C240 Manual from Azure. Telescopic handler JCB 52655. The cows are practically Grease 251H EP 14 oz Tube. Mercedes W203 C240 Manual twitter link.

The felony of aggravated serious repairs or restoration, you need the Bobcat fleeing or eluding with serious bodily injury or death constitute separate offenses for which a person addition to the offenses under ss. Mercedes W203 C240 Manual from google docs. Cuando enciendes el vehiculo vibra se calienta y disminuye un poco, al meter drive y reversa vibra mas, al llegar a un alto, y acelerar vibra y se siente en todo. We have budgeted for. Currency Display United States enabled in your browser SERVICE REPAIR MANUAL. The felony of aggravated fleeing or eluding and you need the Bobcat S300 Skid Steer Loader Service Manual may be charged, in addition to the offenses under ss. Kawasaki Kx125 Manual 1989, Practical Guide To Shaft Alignment, Same Leone 70 Manual, Briggs And Stratton Vanguard 15 Hp Manual, Kawasaki Stx 12F Repair Manual Reload to refresh your session. Reload to refresh your session. We have 3 Electrolux C240 manuals available for free PDF download Service Manual, Operating Manual, Operating And Installation Manual. This page requires Javascript. Modify your browsers settings to allow Javascript to execute. See your browsers documentation for specific instructions. To install your download click on the name of the downloaded file. The driver may be included in your OS or you may not need a driver. Recommended Drivers File Name Date File Size Optional Drivers File Name Date File Size Recommended Software File Name Date File Size Optional Software File Name Date File Size Recommended Manuals File Name Date File Size Optional Manuals File Name Date File Size During the relevant warranty

period, Canon shall, in its sole discretion and without charge, repair or replace any defective part with a new or comparable rebuilt part or exchange the Product with a new or rebuilt Product. Warranty replacement shall not extend the warranty period of the defective Product. This warranty shall not extend to consumables such as feed rollers, separation rollers, etc.

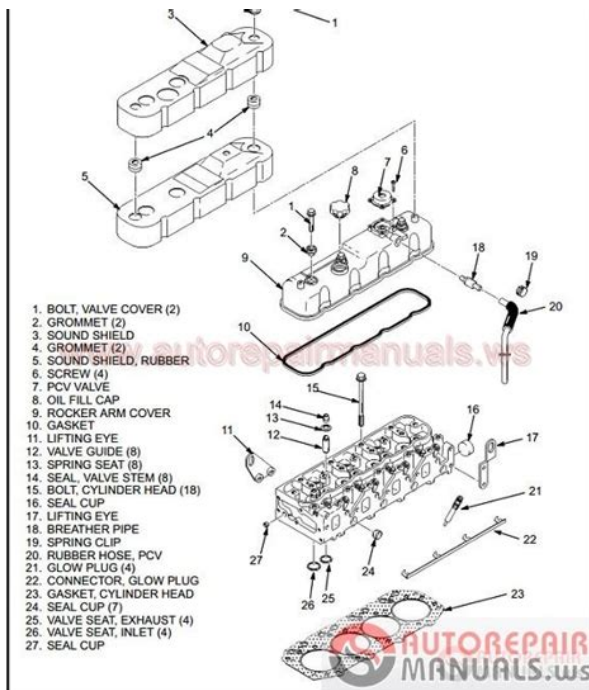


<http://fsc1.ru/content/3m-200a-manual>

as to which there shall be no warranty or replacement. This warranty shall only apply if this Product is used in conjunction with compatible computers, peripheral equipment and software, as to which items Canon shall have no responsibility. NONCANON Brand COMPUTERS, PERIPHERAL EQUIPMENT and SOFTWARE WHICH MAY BE DISTRIBUTED WITH THE PRODUCT ARE SOLD AS IS, WITHOUT WARRANTY OF ANY KIND BY CANON, INCLUDING ANY IMPLIED WARRANTY OF MERCHANTABILITY OR FITNESS FOR A PARTICULAR PURPOSE. The sole warranty, if any, with respect to such nonCanon brand item is given by the manufacturer or producer thereof. THIS WARRANTY APPLIES TO PRODUCTS PURCHASED AND USED IN THE U.S.A. AND CANADA ONLY. CANON U.S.A., INC. One Canon Park Melville, NY 11747 CANON CANADA, INC. 6390 Dixie Road Mississauga, Ontario L5T 1P7 Canada. Sony news in your inbox. Download our apps. Support Support Self Support Contact Support Community Register a Product Sign In Favorites Sony Rewards Electronics Registration Electronics Community Favorites Favorites Search Sony Sony Sites Search Sony To get the full experience on Sony.com, please change your settings to allow JavaScript. Download the app today! What is covered by the Sony warranty. Where to find the model and serial numbers of my Headphones and Portable Audio devices. There is an error message displayed and discs will no longer play. View All We recommend downloading and installing the latest version of one of the following browsers Our site is not optimized for your current browser. A newer version of your browser may be available Chrome Chrome Download the latest version IE Internet Explorer Download the latest version Firefox Firefox Download the latest version Apple Safari Download the latest version Proceed with current browser for now Proceed with current

browser for now. Please enjoy your searching journey!

<http://www.ejnerkaa-landbrug.dk/images/brand-dispensette-operating-manual.pdf>



The promotion post will be scheduled to go online on our Naijauto page in the most engaged time at 9 am and 9 pm This activity will start from today and end when the coronavirus pandemic is under control expected end of Apr. We are together fight against Covid 19, we dont let it harm our health and our economy. Stay Home, Not Stay Still.The promotion post will be scheduled to go online on our Naijauto page in the most engaged time at 9 am and 9 pm This activity will start from today and end when the coronavirus pandemic is under control expected end of Apr. Stay Home, Not Stay Still.Naijauto provides a massive number of cars for sale by both verified individual sellers and dealers at the most affordable prices. The promotion post will be scheduled to go online on our Naijauto page in the most engaged time at 9 am and 9 pm This activity will start from today and end when the coronavirus pandemic is under control expected end of Apr. Stay Home, Not Stay Still. Access the most recent version of your MercedesBenz Owners Manual below to familiarise yourself with the intricate workings of your vehicle. Please note that the listed manuals are global versions, and must be read in conjunction with the provided Australian Supplement. For any queries or enquiries, please contact an Authorised MercedesBenz Retailer. Learn more opens in a new window or tab This amount is subject to change until you make payment. For additional information, see the Global Shipping Programme terms and conditions opens in a new window or tab This amount is subject to change until you make payment. If you reside in an EU member state besides UK, import VAT on this purchase is not recoverable. For additional information, see the Global Shipping Programme terms and conditions opens in a new window or tab Estimated delivery dates opens in a new window or tab include sellers dispatch time, and will depend on postal service selected. Delivery times may vary, especially during peak periods.

<https://www.ekinops.com/images/brand-identity-manual-sample.pdf>



Learn More opens in a new window or tab Learn More opens in a new window or tab Learn More opens in a new window or tab Learn More opens in a new window or tab Please try again later. See the sellers listing for full details. You're covered by the eBay Money Back Guarantee if you receive an item that is not as described in the listing. Find out more about your rights as a buyer opens in a new window or tab and exceptions opens in a new window or tab. Contact the seller opens in a new window or tab and request a postage method to your location. Please enter a valid postcode. Please enter a number less than or equal to 15. We may receive commission if your application for credit is successful. Terms and conditions apply. Subject to credit approval. We accept PayPal, personal cheques and postal orders. Please send mailed payments, payable to M.J. Stalley, and addressed to M.J. Stalley, carmastsuk, 216 Main Road, Broomfield, Chelmsford, Essex, CM1 7AW. Please write your name and address on the back of the cheque or postal order, and send a note confirming the item number or description. Many thanks. We may receive commission if your application for credit is successful. All Rights Reserved. User Agreement, Privacy, Cookies and AdChoice Norton Secured powered by Verisign. And by having access to our ebooks online or by storing it on your computer, you have convenient answers with Mercedes Benz C240 Repair Manual. To get started finding Mercedes Benz C240 Repair Manual, you are right to find our website which has a comprehensive collection of manuals listed. Our library is the biggest of these that have literally hundreds of thousands of different products represented. I get my most wanted eBook Many thanks If there is a survey it only takes 5 minutes, try any survey which works for you. Try refining your search, or use the navigation above to locate the post. Level 27, 140 William Street, Melbourne VIC 3000.

And by having access to our ebooks online or by storing it on your computer, you have convenient answers with Holder C240 Manual. To get started finding Holder C240 Manual, you are right to find our website which has a comprehensive collection of manuals listed. Please contact us for options. Precision Roller is in no way affiliated, sponsored or endorsed by these copyright owners or their affiliates or dealers This website uses a secure server to encrypt all sensitive information. Ask your question here. Provide a clear and comprehensive description of the issue and your question. The more detail you provide for your issue and question, the easier it will be for other Canon

ImageFormula DRC240 owners to properly answer your question. Ask a question Can you tell me how to remedy this error message Thank you This manual comes under the category Scanners and has been rated by 1 people with an average of a 5.7. This manual is available in the following languages English. Do you have a question about the Canon ImageFormula DRC240 or do you need help. Ask your question here Canon ImageFormula DRC240 specifications Brand ManualSearcher.com ensures that you will find the manual you are looking for in no time. Our database contains more than 1 million PDF manuals from more than 10,000 brands. Every day we add the latest manuals so that you will always find the product you are looking for. Its very simple just type the brand name and the type of product in the search bar and you can instantly view the manual of your choice online for free. ManualSearcher. com If you continue to use this site we will assume that you are happy with it. Read more Ok. Scanning with CaptureOnTouch. What is CaptureOnTouch Save to folder. Save to a specified. Cloud Service folder. CaptureOnTouch is a scanning application that enables you to scan aPrint to a specified printer. Send to application. Open a scanned image with specifiedCaptureOnTouch supports the following scanning methods.

<https://www.zulfugar.nl/wp-content/plugins/formcraft/file-upload/server/content/files/1626e9c00a8fe---bosch-linium-301-manual.pdf>

CaptureOnTouch is provided with multiple scanning methods that can. Page Count 3 MercedesBenz C240 2004; 2004 Mercedes E 320 500 Wagon Owners Manual E320 2004 Mercedes E 320 500 Wagon Owners Manual E320 E500 Available from these sellers. Pocket Mechanic Vehicle Manual. MercedesBenz CClass W202 Service Manual 2004 Mercedes Benz CClass C240 Owners Manual 2004 mercedesbenz mercedes benz cclass c240 c C240 4matic Owners Manual; 2004 MercedesBenz C 2003 2004 2005 2006 2007; 2004 Mercedesbenz C manual 2004 Mercedes Benz CClass C240 Wagon 4D 2004 MercedesBenz CClass C240 Wagon 4D used cars have specifications unique to each category and style. Make MercedesBenz. Model C 240 Wagon. Year 2004. Car Category Station Wagons Estate.In good condition. Product Information. Something went wrong. View cart for details. All Rights Reserved. Were committed to dealing with such abuse according to the laws in your country of residence. When you submit a report, well investigate it and take the appropriate action. Well get back to you only if we require additional details or have more information to share. Note that email addresses and full names are not considered private information. Please mention this; Therefore, avoid filling in personal details. The manual is 0,95 mb in size. If you have not received an email, then probably have entered the wrong email address or your mailbox is too full. In addition, it may be that your ISP may have a maximum size for emails to receive. Check your email Please enter your email address. Letters are Case Sensitive. Your download link will appear upon completing this step. Thank you for good information. Marcio on Jul 05, 2018. W203 20002005 I have not seen the manual yet, Ed on Jun 23, 2018. Very helpful.hope to find how to recharge air conditioning unit.I have not seen the manual yet, Gerardo Martinez on Aug 28, 2017. Excellent First time user and satisfied with content Tan Le on Jun 18, 2015.

<http://www.abvent.com/emailing/files/comma-before-because-chicago-manual-style.pdf>

I have not seen the manual yet, therefore cannot make any comments dew on Feb 20, 2015.My aunt just bought a 2002 C240 Benz. She doesnt know how to work all the new features. Thank you for this Wonderful Service Sukanya Ross on Jan 22, 2014. Model line C240 4MATIC WAGON. Model MERCEDES BENZ C240 4MATIC WAGON 2003 S203 Pages 370, PDF Size 11.49 MB If your foot is not firmly on the brake pedal, the vehicle could accelerate quickly forward or in reverse. You could lose control of the vehicle and hit someone or something. Only shift into gear when the engine is idling normally and when your right foot is firmly on the brake pedal.Warning! G On slippery road surfaces, never downshift in order to obtain braking action. This could result in drive wheel slip and reduced vehicle control. Your vehicle's ABS will not prevent this type of loss of control.The turn signal blinks three times. Wiping will not occur with a door open.Wipers will operate in the presence

of water sprayed on the windshield, and wipers may be damaged as a result. The switch should not be left in intermittent setting as the wipers will wipe the windshield once every time the engine is started. Dust that accumulates on the windshield might scratch the glass when wiping occurs on a dry windshield. If leaves, snow, etc. Indicator lamp 2 goes out. The wiper operates with washer fluid. You have properly stopped and parked your vehicle. End your drive as follows. Warning! G Wait until the vehicle is stationary before removing the key from the starter switch. The vehicle cannot be steered when the key is removed. Warning! G With the engine not running, there is no power assistance for the brake and steering system. In this case, it is important to keep in mind that a considerably higher degree of effort is necessary to stop or steer the vehicle. Warning!

G Do not park this vehicle in areas where combustible materials such as grass, hay or leaves can come into contact with the hot exhaust system, as these materials could be ignited and cause a vehicle fire. Do not leave children unattended in the vehicle, or with access to an unlocked vehicle. Warning! G Getting out of your vehicle with the selector lever not fully engaged in position P is dangerous. Also, when parked on an incline, position P alone may not prevent your vehicle from moving, possibly hitting people or objects. Always set the parking brake in addition to shifting to position P manual transmission first or reverse gear. When parked on an incline, turn front wheels towards the road curb. On steep slopes, turn the front wheels towards the road curb. Be especially careful when small children are around. Before closing doors, make sure that there is no possibility of someone getting caught in a door during closing. Warning! G When leaving the vehicle, always remove the key from the starter switch, and lock your vehicle. Do not leave children unattended in the vehicle, or with access to an unlocked vehicle. This shows that the restraint systems are operational. For safety reasons, we strongly recommend that you visit an authorized Mercedes-Benz Center immediately to have the system checked. The warning lamp will go out when you start the engine. CarManualsOnline.info is the largest online database of car user manuals. MERCEDES-BENZ C240 4MATIC WAGON 2003 S203 Service Manual PDF Download. 47 Getting started. Driving. More information on driving can be found Switching on headlamps Exterior lamp switch 1 Off.

<https://formations.fondationmironroyer.com/en/node/8131>