



**File Name:** Canon powershot a495 digital camera user manual.pdf

**Size:** 3911 KB

**Type:** PDF, ePub, eBook

**Category:** Book

**Uploaded:** 23 May 2019, 18:10 PM

**Rating:** 4.6/5 from 821 votes.

## Download Now!

Please check the box below to proceed.

I'm not a robot



reCAPTCHA  
Privacy - Terms

## Book Descriptions:

# Canon powershot a495 digital camera user manual



AA Alkaline Batteries x2 AVDC300 DIGITAL CAMERA Warranty Solution Disk Card Wrist Strap WS800 AV Cable "Canon Customer Support" Leaflet. If there is a problem with the camera while abroad, please return it to the country of sale before proceeding with a warranty claim to a Canon Customer Support Help Desk. For Canon Customer Support contacts, please see the customer support list supplied with your camera. Chapters 4 onward explain the advanced functions, letting you learn more as you read each chapter. Checking the Package Contents. 2 Read This First. The latter part of this chapter explains how to shoot and view movies and transfer images to a computer. SD, SDHC and SDXC memory cards have a writeprotect tab. We cannot recommend the use of any other batteries than those listed above because performance varies widely. Since the dates and times recorded into your images are based on these settings, be sure to set them. Enter Playback mode. Formatting initializing a memory card erases all data on the memory card. As you cannot retrieve the erased data, exercise adequate caution before formatting the memory card. Be careful when transferring or disposing of a memory card. When disposing of a memory card, take precautions such as physically destroying the card to prevent personal information leaks. The camera can also detect and focus on faces, setting the color and brightness to optimal levels. When the camera focuses, it will beep twice and AF frames will appear where the camera focuses. Under certain conditions, the icon that appears may not match the actual scene. When faces are detected, a white frame appears on the face of the main subject, while gray frames appear on other detected faces. The frames will follow the subjects within a certain range p. Switching to Shooting mode Pressing the shutter button halfway while in Playback mode switches the camera to Shooting mode. Enter Playback mode. Please note that erased images cannot be recovered. <http://gpromance.com/updata/ndata/20200926061224.xml>

- **canon powershot a495 digital camera user manual, canon powershot a495 digital camera user manual, canon powershot a495 digital camera user manual 2016, canon powershot a495 digital camera user manual pdf, canon powershot a495 digital camera user manual download, canon powershot a495 digital camera user manual free.**



Exercise adequate caution before erasing an image. Enter Playback mode. Choose an image to erase. Shooting Time Enter E mode. However, operation sounds will be recorded and the movie may appear coarse. Enter Playback mode. Transferring Images to a Computer for Viewing Install the Software. Card Reader Canon Brand PictBridge Compliant Printers Compact Photo Printers SELPHY series See the user guide supplied with the printer for more information on the printer and interface cables. Some accessories are not sold in some regions, or may no longer be available. Power Supplies CAUTION RISK OF EXPLOSION IF BATTERY IS REPLACED BY AN INCORRECT TYPE. This product is designed to achieve excellent performance when used with genuine Canon accessories. Auto Mode You can leave it to the camera to select settings for fully automatic shooting p. Power Saving during Shooting The screen will turn off approximately 1 minute after the camera is last operated. The menu items are organized under tabs, such as for shooting 4 and playback 1. Performing a lowlevel format on a memory card erases all data on the memory card. As you cannot retrieve the erased data, exercise adequate caution before performing a lowlevel format. In F, V or ' mode, images may appear coarse because the ISO speed p. 64 is increased to match the shooting conditions. What if a flashing When you press the shutter button halfway in low light conditions where camera shake is likely, a flashing. The images may appear coarse, however, depending on the recording pixel setting p. Once inserted, however, they cannot be deleted. Be sure to check beforehand that the date and time are correctly set p. 17. You can insert and print the shooting date in images which do not have an embedded date and time as follows. The camera will activate approximately 10 seconds after the shutter button is pressed. You can change the delay time and number of shots p. 68. Press the p button. <http://www.fondoferss.com/fckuploads/file/dual-rectifier-roadster-manual.xml>

Canon

# PowerShot A495

# PowerShot A490

## Camera User Guide



Photo of PowerShot A495

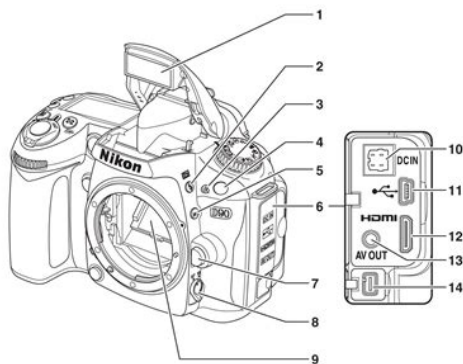
- Make sure you read this guide before using the camera.
- Store this guide safely so that you can use it in the future.

ENGLISH

The camera will shoot two seconds after you enter the shot and it detects your face Changing the number of shots For the screen in Step 1, press and hold the n button for a few seconds, then press the qr buttons to change the number of shots. AE stands for Auto Exposure. What if the shutter speed and aperture value appear in orange. If a correct exposure cannot be obtained when pressing the shutter button halfway, the shutter speed and aperture value are shown in orange. Choose the compression ratio setting. Fine weather conditions, outdoor shooting. Cloudy, Twilight High Nightscapes, Dark interiors. Automatically sets the optimal white balance for the shooting Auto conditions. Day Light Fine weather conditions, outdoor shooting Cloudy Cloudy, shady, twilight conditions Tungsten. My Colors Off Emphasizes the contrast and color saturation for a vivid Vivid impression. Neutral Tones down the contrast and color saturation for neutral hues. Sepia Sepia tones. Shooting Using a TV Monitor You can use a TV to display the camera screen content while shooting. After locking the focus, the focal distance will not change even when you release your finger from the shutter button. Changing the Metering Mode You can change the Metering mode brightness measuring function to match the shooting conditions. AE stands for "Auto Exposure". Shooting with the FE Lock Just as with the AE lock, you can lock the exposure for shooting with the flash. At the same time, you can use a slow shutter speed to brighten the background that the light from the flash cannot reach. Redeye correction may be applied to areas other than red eyes. Searching from a large number of images By repeatedly pressing the zoom button toward g, you can display an index of up to 100 images. White or Black Yellow Yellow Black What if the images don't properly display on the TV. Since erased images cannot be recovered, exercise adequate caution before erasing. Protected images p. 90 cannot be erased.

Rotating Images You can change the orientation of an image and save it. Canon Brand PictBridge Compliant Printers SELPHY series PIXMA series. Printing will start. These selection methods comply with the DPOF Digital Print Order Format standards. The first part of this chapter explains convenient and commonly used functions. The latter part explains how to change shooting and playback settings to suit your purposes. The index also appears at the end. Open the cover and remove the AA batteries p. Do not unplug the plug or power cord with the camera turned on. This could erase images you have taken or damage the camera. If the items below do not solve your

problem, contact a Canon Customer Support Help Desk as listed on the included customer support list. Power You pressed the power button, but nothing happened. Even when the shooting time does not display properly, the recorded video will be the length that it was actually shot pp. 20, 30. List of Messages That Appear on the Screen. Chooses individual images for printing. Select All Images Chooses all images for printing. Clear All Selections Cancels all settings for printing. Print Settings Sets the printing style. This easy to use Canon PowerShot A495 equipped with a 10 MP CCD sensor delivers superb images for largescale prints. The 3x 37122mm optical zoom lens that let you capture upclose and memorable photos. The PowerShot A495 features Smart Auto mode will do the work for you by intelligently selecting the proper settings for the camera based on 18 predefined shooting situations for optimum output. The Scene Modes such as Super Vivid for additional bursts of color, and Poster Effect for a unique artistic look, which gives the shooter more creative freedom to capture images their way. This page requires Javascript. Modify your browsers settings to allow Javascript to execute. See your browsers documentation for specific instructions. To install your download click on the name of the downloaded file.



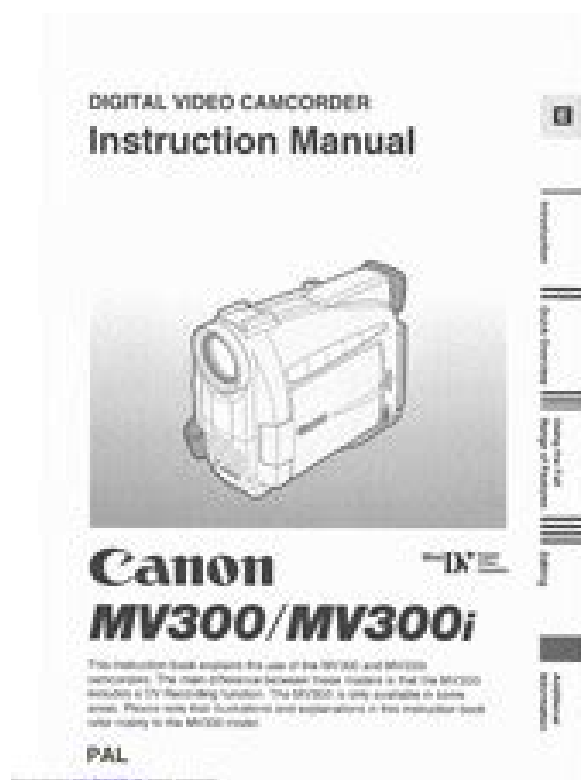
1 Built-in flash.....70	9 Mirror.....43, 246
2  (flash mode) button.....70	10 DC-IN connector for optional EH-5a or EH-5 AC adapter .....239
(flash compensation) button.....91	11 USB connector Connecting to a computer .....149 Connecting to a printer.....151
3 Microphone.....50, 170	12 HDMI mini-pin connector .....147
4 Infrared receiver.....69	13 Video connector .....146
5  (bracketing) button .....92	14 Accessory terminal .....241
6 Connector cover .....146, 147, 149, 151	
7 Lens release button.....26	
8 Focus-mode selector.....54, 59	

<https://congviendisan.vn/vi/bosch-logixx-8-manual-f23>

Access your account, or create a new account, click here to get started. Figures for Movie Mode represent total capacity of the particular media. Canon, DIGIC, ELPH, PIXMA, and PowerShot and SELPHY are registered trademarks of Canon Inc. Mac is a trademark of Apple, Inc., registered in the United States and other countries. Recommended Software File Name Date File Size Optional Software File Name Date File Size Recommended Manuals File Name Date File Size Optional Manuals File Name Date File Size The Product purchased with this limited warranty is the only PowerShot Digital Camera to which this limited warranty applies. Warranty exchange or replacement does not extend the original warranty period of the Product. The sole warranty, if any, with the respect to such nonCanon brand items is given by the manufacturer or producer thereof. This limited warranty covers all defects encountered in normal use of the Products, and does not apply in the following cases A Canon Customer Care representative will attempt to diagnose the nature of the problem and correct it over the telephone. If the problem cannot be corrected over the telephone, you will be asked to follow the applicable procedures for MAILIN SERVICE. Note that a dated proof of purchase is required at the time of service. MAILIN SERVICE is a program under which your Product is repaired by a Canon U.S.A. or a Canon Canada authorized service center for

the Product. You will be given the name, address and phone number of an authorized service center. It is your responsibility to properly package and send the defective Product, together with a copy of your dated proof of purchase, a complete explanation of the problem and a return address to the authorized service center at your expense. Do not include any other items with the defective Product. The Product covered by this limited warranty and proven to be defective upon inspection will be repaired and returned to you without charge by the authorized service center.

<http://www.dolciariavarone.com/images/bunn-thermal-coffee-maker-manual.pdf>



Any Product received by the authorized service center that is not covered by the limited warranty will be returned unrepared, or at the discretion of the authorized service center, you may receive a written estimate of repair at such cost as the service center may establish from time to time. Scroll down to easily select items to add to your shopping cart for a faster, easier checkout. Visit the Canon Online Store Provides uninterrupted power for shooting or downloading. Effectively doubles the flash range of the camera. Comes with mounting bracket. Effectively doubles the flash range of the camera. Comes with mounting bracket. The cable connects to your camera and to the USB port on your PC or MAC Computer. Comes standard with the EOS 1Ds Mark III, 1D Mark IV, 1D Mark III, 1Ds Mark II, 1D Mark II N, 1D Mark II, 5D Mark II, 7D, 5D, 50D, 40D, 30D, 20D, 10D, Digital Rebel XTi, Digital Rebel XT and Digital Rebel. Please see Compatibility tab for compatible models. With a CarePAK PLUS, a damaged product will be repaired to good working condition or replaced with an equivalent product. By this Table of Content, you can jump to the certain topic simply by clicking the Table of content below. This is an article about Canon PowerShot A495 Manual. This article is aimed to provide you the manual of this amazing Canon camera product. Therefore, whenever you need the information about this product, you can simply download it in this page. Further, for the new user, this manual might be helpful to help you understanding this product. While for the old ones, in case you have lost your Canon PowerShot A495 Manual book, the manual below can be treated as a replacement. Contents show 1 Introduction to Canon PowerShot A495 Manual 1.1 Canon PowerShot A495 Look and Appearance 1.2 The Specification of Canon PowerShot A496 1.2.1 Quick Specification of Canon PowerShot A495 1.



3 The Price and Impression of Canon PowerShot A495 2 Canon PowerShot A495 Manual User Guide Introduction to Canon PowerShot A495 Manual What we have sensed since the very first time is that everyone needs the manual of a product, especially for a digital camera product. With this manual, there will be a lot of information obtained. Something like specification, camera parts, function, and others will be so much beneficial to support the operation of this camera. Therefore, we aimed to provide you the Canon PowerShot A495 Manual for a better use of this amazing camera product. Canon PowerShot A495 Look and Appearance Apparently, it is already perpetuated that we need to put Canon PowerShot A495 Manual second after we talked about its specification first. So, as a starting point of the specification, let's concentrate on the whole appearance of this camera. Canon PowerShot A495 brings vivid case colors such as silver, blue, and red. Every color represents their own nuances, feel free to select one based on your personality. Looking at the camera's body, actually it is not very tall and wide, but it is quite thick for most pocket size. First time seeing the A495, I love the rounded corners idea since it makes this camera looks undeniably stylish. Based on the Canon PowerShot A480 manual, the body dimension is approximately 94 x 62 x 31 mm with overall weight at 175 gram. Further, having these measurements, no doubt that this is one the most compact cameras in this era. The buttons come in expensive look with clear marks in white on black. Canon keeps the controls simple and straightforward with uncomplicated menu systems. In short, it will be easy even for beginners to take control of this camera. The Specification of Canon PowerShot A496 Did you know that Canon PowerShot A480 has split into two models; Canon PowerShot A490 and Canon PowerShot A495. The A490 is priced cheaper than the other one for several reasons.

No matter the differences are, these two products take great photos for very reasonable price. Find out what you can do with this product as explained below. Canon PowerShot A495 manual also says that it has video recording ability with 480p Motion JPEG video format. The 18 scene shootings with ne creative shooting modes will create perfect image composition easily. DIGIC III with iSAPS

technology work very well as the brain for this camera. This small chip brings big impacts such as making this camera to be more responsive especially in image processing. On the optic and lens, the A495 featured builtin lens with 37122 mm focal length with f35.8 maximum aperture. This lens offers 1 cm macro focus range, imagine how outstanding it will be for macro photography. Its 2.5 inches LCD Display with 115.000 active dots is always ready to show bright and clear images like you're expected. HC MMCplus, MMCplus, MMC, SDXC, SDHC, and SD are compatible as the storage system for this camera. Having vivid outlooks combines with reactive performance, this cool camera is stylishly great. Moreover, the controls are easy to operate, so you are able to use it anywhere without worries. The price is starting from 109 USD for global market. Read another review about this camera in this page. Canon PowerShot A495 Manual User Guide As it is stated before, this product is classified as the old product. That's why we think some people might lose the manual of it. Therefore, to anticipate this thing, we provide users the Canon PowerShot A495 Manual as a replacement from the old one. On the other side, this manual is not only useful for the users. But it will be helpful too for the one who wants to learn deeper about this camera. Therefore, if you want to understand this camera better, referencing to below manual will be a good idea. The manual will be provided in PDF. So, if you want to access it, it will be better for you to download the PDF reader first.

<https://becro-plast.hr/wp-content/plugins/formcraft/file-upload/server/content/files/16271ff64d345f---brave-34-ton-log-splitter-manual.pdf>

Download PowerShot A490 User Manual That's all of the Canon PowerShot A495 Manual information that we need to share. Any other idea, opinion, or critique to both these product and articles, the comment session below is available for you. Further, if you think this article is useful, you may share it to your own page. Therefore, the information of Canon PowerShot A495 Manual can be spread in the wider range of audience. By continuing to use this website, you agree to their use. Please consider supporting us by disabling your ad blocker. Refresh. You may find documents other than just We keep our list of direct Canon PowerShot A495 driver and firmware links uptodate so they are easy to find when you need them. With a resolution of 10.0 megapixels and a 3.3x optical zoom, the A490 provides the performance and features that are perfect for photographing family events, keeping up with children at play, or recording scenes and events during a vacation or business trip. Two AA batteries provide power for taking many photos and videos and are available everywhere. The cameras is compatible with SDHC and SDXC storage cards, offering up to 2TB SDXC only of convenient and reliable memory that users can take anywhere. Even when the light is low, with a high 1600 ISO, and Low Light Mode you can still get great photos without using the builtin flash. Other features include Smart Auto Mode that has Scene Detection Technology that recognizes up to 18 different scenes and automatically applies the optimum settings. You can also chose from 16 different scene modes including Super Vivid Mode and Poster Effect Mode. It also features Night Display for easy viewing in low light. High Sensitivity The camera features high ISO Sensitivity of up to ISO 1600 to reduce the effects of camera shake and sharpen subjects in lowlight situations, providing you with greater shooting flexibility.

[www.dubaimotorcycletours.com/uploaded\\_images/files/control-console-operating-manual-wow.pdf](http://www.dubaimotorcycletours.com/uploaded_images/files/control-console-operating-manual-wow.pdf)

Smart Auto Mode Smart Auto Mode has Scene Detection Technology that recognizes up to 18 different scenes and automatically applies the optimum settings required to capture the best picture. Face Detection Technology Face Detection Technology makes it easy to take pictures of friends, by tracking faces and providing correct exposure and focus for the best results. The smart FaceSelfTimer feature allows the photographer to be included in group photos, only taking the shot when an extra face has entered the frame. Super Vivid Mode Super Vivid Mode captures the colors you see with your minds eye, saturating the scene with intense colors. Sunsets and floral scenes turn into bursts of color, and get your photo noticed. Poster Effect Poster Effect combines several similar

shades into one color, turning subtle gradations into eye-catching, scene-popping contrasts. 16 Shooting Modes Choose from Auto, Program, Movie, or Special Scene where you can select from settings such as Night, Snow, Indoor, Beach and more to get the best possible image. Let us know YOUR RECENTLY VIEWED ITEMS Browsing History ON Clear History 0 36 Not responsible for typographical or illustrative errors. Learn more opens in a new window or tab This amount is subject to change until you make payment. For additional information, see the Global Shipping Programme terms and conditions opens in a new window or tab This amount is subject to change until you make payment. If you reside in an EU member state besides UK, import VAT on this purchase is not recoverable. For additional information, see the Global Shipping Programme terms and conditions opens in a new window or tab Delivery times may vary, especially during peak periods and will depend on when your payment clears opens in a new window or tab.

Learn More opens in a new window or tab Learn More opens in a new window or tab Learn More opens in a new window or tab Learn More opens in a new window or tab This means the item has been inspected, cleaned and repaired to full working order and is in excellent condition. This item may or may not be in its original packaging. See the seller's listing for full details. Contact the seller opens in a new window or tab and request a postage method to your location. Please enter a valid postcode. Please enter a number less than or equal to 199. You're covered by the eBay Money Back Guarantee if you receive an item that is not as described in the listing. Find out more about your rights as a buyer opens in a new window or tab and exceptions opens in a new window or tab. All Rights Reserved. User Agreement, Privacy, Cookies and AdChoice Norton Secured powered by Verisign. Please expand the article to include this information. Further details may exist on the talk page. July 2020 The A-series started as a budget line of cameras, although over time its feature set varied from low-end point-and-shoot cameras to high-end prosumer cameras capable of rivaling Canon's G-series. The Axx series that followed offered full manual control on most models in a fairly bulky body. The Axx series has branched off into the A5xx replaced by the A1xxx series, A6xx, and A7xx series the latter replaced by the A2xxx series. A-series camera are generally powered by 2 AA batteries. The Canon PowerShot A60 and A70 cameras were the first digital camera models in their class to feature aperture and shutter priority, and full manual modes. More recent models generally do not support remote capture. Archived from the original on May 9, 2009. Retrieved 30 October 2009. Archived from the original on January 6, 2010. Retrieved 30 October 2009. Archived from the original on May 3, 2009. Retrieved 30 October 2009. Archived from the original on January 7, 2010.

Retrieved 15 July 2010. Archived from the original on January 11, 2010. Retrieved 15 July 2010. Archived from the original on January 7, 2010. Retrieved 15 July 2010. Archived from the original on November 1, 2010. Retrieved 15 July 2010. Retrieved 30 October 2009. Retrieved 30 October 2009. Archived from the original on May 29, 2009. Retrieved 30 October 2009. Archived from the original on May 3, 2009. Retrieved 30 October 2009. Retrieved 30 October 2009. Retrieved 30 October 2009. Retrieved 30 October 2009. Retrieved 13 January 2012. Retrieved 21 March 2012. By using this site, you agree to the Terms of Use and Privacy Policy. Ask your question here. Provide a clear and comprehensive description of the issue and your question. The more detail you provide for your issue and question, the easier it will be for other Canon PowerShot A495 owners to properly answer your question. Ask a question About the Canon PowerShot A495 This manual comes under the category Camcorders and has been rated by 1 people with an average of a 6.3. This manual is available in the following languages English. Do you have a question about the Canon PowerShot A495 or do you need help. Ask your question here Canon PowerShot A495 specifications Brand The more pixels, the higher the potential image quality. ManualSearcher.com ensures that you will find the manual you are looking for in no time. Our database contains more than 1 million PDF manuals from more than 10,000 brands. Every day we add the latest manuals so that you will always find the product you are looking for. It's very simple just type the brand name and the type of product in the

search bar and you can instantly view the manual of your choice online for free. ManualSearcher.com If you continue to use this site we will assume that you are happy with it. Read more Ok. The DIGIC III Image Processor keeps it all looking sharp. To help you make the most of your creativity, new Scene Modes make your photographs stand out.

A bright, bold 2.5inch LCD makes shooting and playback a genuine pleasure. Plus, choose from any of three dazzling colors. Smart AUTO will do the work for you by intelligently selecting the proper settings for the camera based on 18 predefined shooting situations. New Scene Modes such as Super Vivid for additional bursts of color, and Poster Effect for a unique artistic look, which gives the shooter more creative freedom to capture images their way. Large, clear 2.5inch LCD makes taking and viewing images a breeze. This AA batterypowered camera enables you to easily power up on the go. Comes in 3 bright colors Red, Blue and Silver. Products and names mentioned are the property of their respective owners. Privacy Policy This page is part of GeneralManual.Com Network Canon PowerShot A495 Digital Camera User Manual. RSS.

<http://ninethreefox.com/?q=node/11661>